

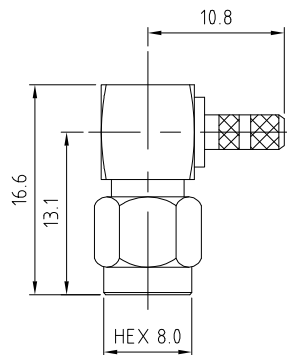
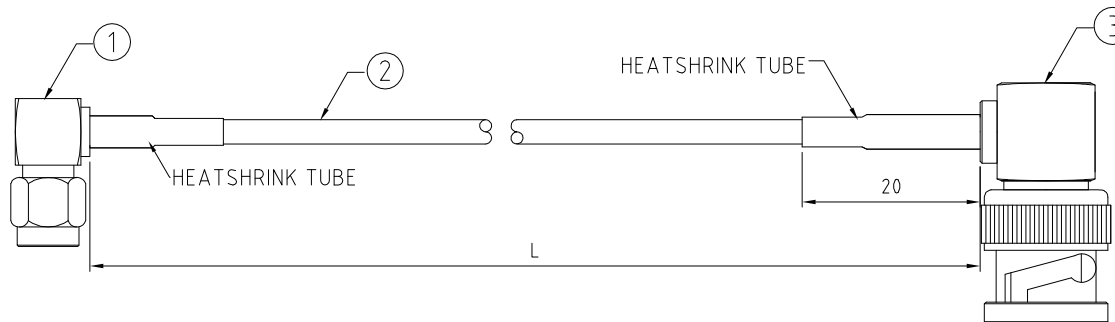
CABLE 310 RF: RF CABLE ASSEMBLY, SMA R/A PLUG + BNC RIGHT ANGLE PLUG + RG174 CABLE

SPECIFICATIONS :

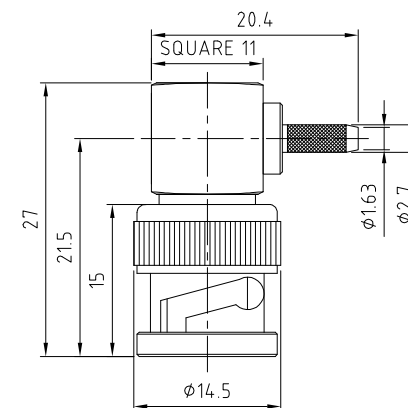
1. SMA RIGHT ANGLE PLUG, P/N: RFCT-SMA030-M74.
2. RG174 COAXIAL CABLE, COLOR: BLACK.
3. BNC RIGHT ANGLE PLUG, P/N: RFCT-BNC005-M74.

NOTES:

1. THE ORIENTATION OF CONNECTORS ON DRAWING IS FOR REFERENCE ONLY, IF THE ORDER IS LEFT BLANK THE CONNECTOR WILL NOT HAVE FIXED ORIENTATION.
2. FIXED ORIENTATION IS SUGGESTED FOR CABLE LENGTH 50MM TO 100MM. PLEASE SPECIFY THE FIXED ORIENTATIONS FROM THE ORDER CODE (F1, F2, ETC)
3. CONTACT GRAD CONN IF THE ORIENTATION YOU REQUIRE IS NOT SHOWN.
4. WORKING FREQUENCY RANGE: DC-3GHz



SMA DETAIL DRAWING



BNC DETAIL DRAWING

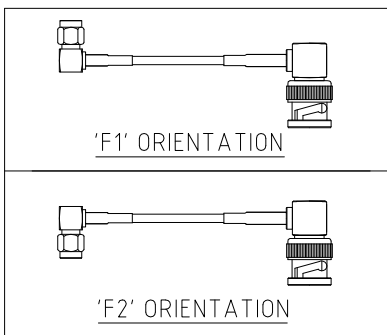
HOW TO ORDER

CABLE 310 RF - X X X X - X X - 1

"L" LENGTH IN MM:
 eg: 100MM = 0100
 (MIN. 0050 - MAX. 2000)
 STANDARD = 0100, 0150, 0200
 TOLERANCE: 50mm : ±2mm.
 51-200mm: ±5mm.
 201-500mm: ±7mm.
 >501mm: ±10mm.

CABLE SIZE:
 1 = RG174 CABLE, COLOR: BLACK

ORIENTATION OPTIONS:
 BLANK = DOES NOT HAVE A FIXED ORIENTATION
 F1 = OPPOSITE ORIENTATION (L=50-200MM)
 F2 = SAME ORIENTATION (L=50-200MM)
 (SEE NOTES 1, 2, 3 AND DIAGRAMS FOR MORE INFORMATION)



Scale: NTS	THIRD ANGLE	Unstated .X .XX .XXX ANGLES	Tolerances: N/A N/A N/A N/A	Material SEE NOTE
Drawn: NYW				
App'd: XXX	Title CABLE ASSEMBLY			NOT TO SCALE
Date: 18 MAY '18	Revision: 1.0			Unit: mm

www.gradconn.com

THIS DRAWING IS CONFIDENTIAL AND MUST NOT BE COPIED OR DISCLOSED WITHOUT WRITTEN CONSENT

Type: Cable 310 RF
CABLE 310 RF
Drawing Number:
Sheet 1 of 1
Drawing © E and O E